

What you will need for watching or recording video of competitors

You will receive two cables with female cinch connector (Fig. 1). In each cable will be the whole run of the competitor also with his time. Two cables are needed in the heats in case of the 1. min. starting interval.

In the first cable you will have competitors with even numbers and in the second with odd numbers.

It would not be necessary to switch between recorded parts of the course, only between the two cables that you will receive. To switch between cables for watching or recording is best to use video switch.

Video signal is in European PAL norm.



Fig. 1

For record the video from each cable you have more solutions.

1. If you want to record on video recorder, you will have to have two of them, and also two cables with male cinch connector (Fig. 2).



Fig. 2

2. It's also possible to record with video camcorders, for this you will need two camcorders with "AV In" (Fig. 4) slot and two cables "jack/cinch". (Fig. 3)

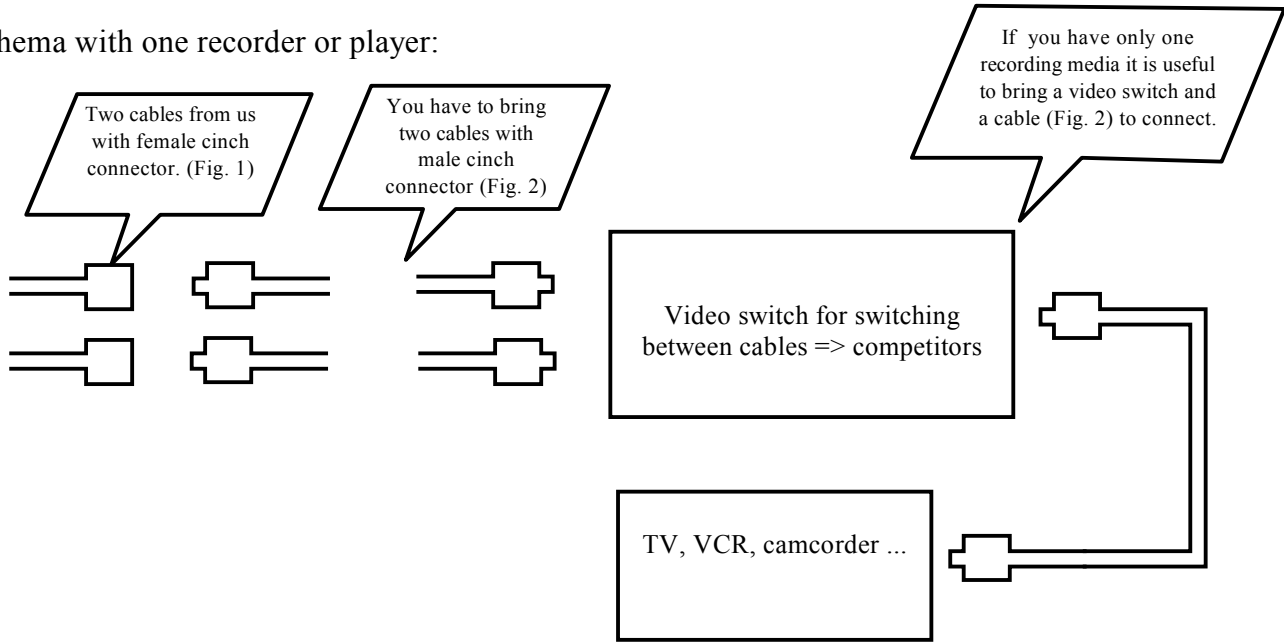


Fig. 3



Fig. 4

Schema with one recorder or player:



Schema with two camcorders and computers:

